

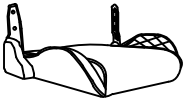
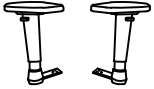



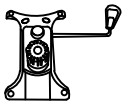
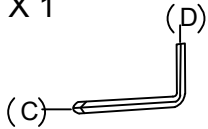
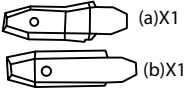
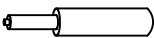


# Manual de Montagem

<p>AX 1</p> 	<p>IX 5</p> 
<p>BX 1</p> 	<p>J</p> <p>(a) x12 M8*20MM</p> <p>(b) x4 M8*25MM</p>
<p>CX 2</p> 	<p>KX 2</p>  <p>M5*8MM</p>
<p>DX 2</p> 	<p>LX 1</p> 
<p>EX 1</p> 	<p>MX 1</p>  <p>(C)</p>
<p>FX 1</p> <p>(a)X1</p> <p>(b)X1</p> 	
<p>GX 1</p> 	
<p>HX 1</p> 